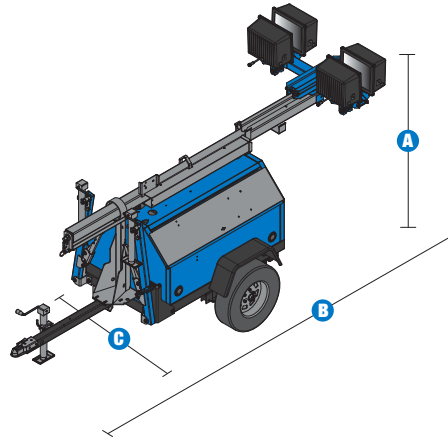


Specifications



MODELS		TML™-4000	
MEASUREMENTS	US	Metric	
Tower height	30 ft	9.14 m	
A Height - stowed	5 ft 10 in	1.78 m	
B Length - stowed	14 ft 3 in	4.35 m	
C Width - stowed	4 ft 6 in	1.37 m	
PRODUCTIVITY			
Leveling capability	30°		
Tower rotation	360° non-continuous		
Wind speed rating	up to 60 mph	(97 km/h)	
Operating sound level	71 dbA at 23 ft (7 m)		
Towing speed rating	60 mph	97 km/h	
Standard hitch receptacle	2 in	5.08 cm	
Tire size	P185/75B13		
POWER			
Power source	Water-cooled Kubota D1105 diesel engine 13.6 hp (10.1 kW) Water-cooled Perkins diesel engine 14.5 hp (10.8 kW)		
Generator	Brushless 60 Hz, 6.0 kW		
Total lighting wattage	4,000 watts (four 1,000 watt HID metal halide lamps)		
Auxiliary convenience receptacles	One 120V GFCI duplex receptacle and one 240V twistlock receptacle		
Fuel tank capacity	30 gal	114 L	
WEIGHT			
Dry	1,760 lbs	798 kg	
Fuel tank full	1,975 lbs	895 kg	

Notice: TML lamp bulbs contain mercury (Hg). Dispose of lamp bulbs according to local, state and federal laws.

Features

EASILY CONFIGURED TO MEET YOUR NEEDS

POWER OPTIONS

- Kubota water-cooled diesel engine
13.6 hp (10.1 kW)
- Perkins water-cooled diesel engine
14.5 hp (10.8 kW)
- 60 Hz generator package
- 50 Hz generator package
(with Perkins engine only)

COUPLER OPTIONS

- Combination hitch
- 2 in (5.08 cm) ball coupler
- 3 in (7.62 cm) pintle coupler

TIRES

- P185/75B13 tires

STANDARD FEATURES

MEASUREMENTS

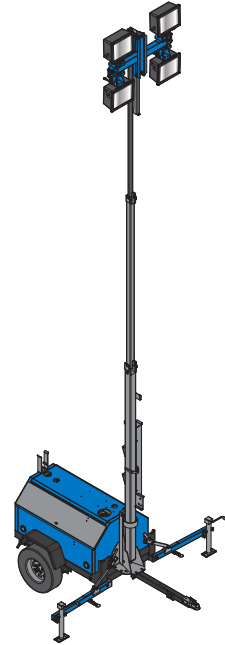
- 30 ft (9.14 m) tower height
- 4 ft 6 in (1.37 m) stowed width

PRODUCTIVITY

- 360° non-continuous tower rotation
- 30° leveling capability
- Trailer light package
- Galvanized mast
- Quick-disconnect fittings on lights and ballasts
- “Tool-less” Quick-Aim™ horizontal and vertical adjustments of each light fixture
- Four 1000 W metal halide lamps with individual circuit breaker switch for each lamp
- Horizontal mounted lamp assembly for more even distribution of light
- Standard convenience 120V AC GFCI duplex receptacle and 240V twistlock receptacle (60 Hz only)
- 2 in (5.08 cm) ball hitch
- Lockable doors with key
- Forklift pockets and lifting eye
- Export racking options

POWER

- Kubota water-cooled diesel engine
13.6 hp (10.1 kW)
- 60 Hz generator package
- 60 to 100 hour run time between fueling
- Keyless ignition and hour meter



OPTIONS & ACCESSORIES

PRODUCTIVITY

- Combination 2 in (5.08 cm) ball / 3 in (7.62 cm) pintle hitch

POWER

- Perkins water-cooled diesel engine
14.5 hp (10.8 kW)
- 50 Hz generator package
(Perkins engine only)
- Fuel/water separators and pre-filters
- Cold start packages
- Heavy-duty battery

Genie United States

18340 NE 76th Street
P.O. Box 97030
Redmond, Washington 98073-9730

Telephone **+1 (425) 881-1800**
Toll Free in USA/Canada **+1 (800) 536-1800**
Fax +1 (425) 883-3475

Genie Europe

Millennium House
Brunel Drive
Newark NG24 2DE
UK

Telephone **+44 (0)1476 584333**
Fax +44 (0)1476 584334

Email: AWP-InfoEurope@terex.com

Distributed By:

Effective Date: February, 2009. Product specifications and prices are subject to change without notice or obligation. The photographs and/or drawings in this document are for illustrative purposes only. Refer to the appropriate Operator's Manual for instructions on the proper use of this equipment. Failure to follow the appropriate Operator's Manual when using our equipment or to otherwise act irresponsibly may result in serious injury or death. The only warranty applicable to our equipment is the standard written warranty applicable to the particular product and sale and we make no other warranty, express or implied. Products and services listed may be trademarks, service marks or trade-names of Terex Corporation, Genie Industries, Inc. and/or their subsidiaries in the U.S.A. and many other countries and all rights are reserved. Terex is a Registered Trademark of Terex Corporation in the U.S.A. and many other countries. Genie is a Registered Trademark of Genie Industries, Inc. in the U.S.A. and many other countries. Genie is a Terex Company. © 2009 Terex Corporation.